

# Rofan

## The cargo profi



**ZD6**

The diesel tow tractor

# Rofan ZD6 – the cargo profi

## The robust diesel transport vehicle for heavy-duty outdoor service



The cargo profi is the ideal way to ensure safe transport of heavy loads outdoors. Thanks to the first-class manufacturing quality and robust construction, it is also exceptionally reliable and has a long service life even under extreme work conditions – just like all Rofan tow tractors.

High-quality preconfigured drive units consisting of standard components from German producers guarantee the superb economic efficiency of all Rofan products. Our wide variety of special airport and industry options enables us to provide you with vehicles designed to meet your specific requirements.

Individually adjustable driver's seats with air suspension in sound- and vibration-proof cabins provide a high level of comfort and the greatest possible safety. The construction design of our tow tractors is based on the wishes of our customers and the experience of more than 3.000 vehicles already produced.

### safe

Every damage generates costs and down times. To prevent this from happening in the first place, we have made sure everything is optimally protected. Safety that pays off buck for buck.

### comfortable

We give you an easy ride. The ergonomically designed driver's cabin featuring a comfortable driver's seat with air suspension allows plenty of freedom of movement and is kind to the driver's health.

### efficient

Rofan stands for an excellent cost-performance ratio. Thanks to the robust construction and high manufacturing quality, maintenance and repair costs are kept low even in continuous use.

### professional

Our service is spot-on! This is assured by our highly qualified employees who carry out maintenance and repair work quickly and reliably. By offering a full service and extensive training programs we do everything to ensure down times are kept to a minimum.

### long service life

Our products are built to last. They are robust, heavy-duty and functional, and fit for service even in multiple-shift operation, seven days a week – year in, year out.

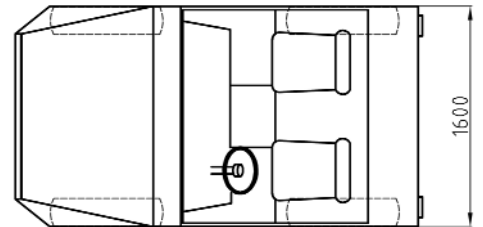
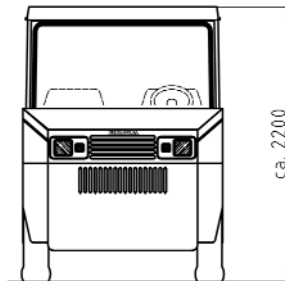
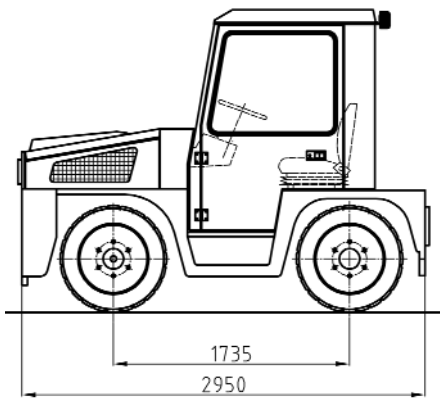
### compatible

We set great store by good connections. They make our work easier and more efficient – and that in turn saves time. That's why we look for precision right from the word go.



# Technical Data

Model	ZD6	Dimensions	mm
Weight	6.000 to 7.000 kg	Length	2.950 to 3.305 (with loading platform)
Engine	Deutz BF4M2012	Width	1.600 to 1.700
Engine rating	75 kW / 102 hp at 2500 rpm	Height	approx. 2.200 to 2.260
Transmission	Power shift transmission	Wheelbase	1.735 to 2.095
Electrical system	12 Volt	Ground clearance	approx. 150
Drawbar pull	30.000 to 52.500 N	Turning radius, between walls	approx. 3.980 to 4.550
Maximum towing capacity	100 tons	Loading platform	approx. 700 × 1.550
Maximum speed	30 km / h	Loading capacity	approx. 400 kg
Front axle	Heavy-duty spring-mounted with disc brakes	Fuel tank capacity	approx. 80 liter
Rear axle	Heavy-duty spring-mounted with drum brakes		
Steering	Hydrostatic power steering		



# Rofan

**DIESEL**



# Model configurations for ZD6

	Standard	Option
<b>Engine</b>		
All engines comply with EC Stage II and EPA Tier 2	<input type="radio"/>	
Modern 4-cylinder water-cooled and turbo-charged Deutz diesel engine BF4M2012	<input type="radio"/>	
Modern 4-cylinder air-cooled and turbo-charged Deutz diesel engine BF4L2011 mit Turbolader		<input type="radio"/>
4- or 6-cylinder Ford LPG or natural gas engine		<input type="radio"/>
<b>Power transmission</b>		
Power shift transmission	<input type="radio"/>	
Continuous hydrostatic Bosch-Rexroth transmission		<input type="radio"/>
Allison automatic transmission		<input type="radio"/>
Kessler rear axle with drum brakes	<input type="radio"/>	
4-wheel drive		<input type="radio"/>
<b>Driver's cab</b>		
Extremely solid, completely insulated steel profile construction.	<input type="radio"/>	
Noise- and vibration-reduced, fixed on four rubber elements with big front and rear screen		
Two lockable doors with sliding windows	<input type="radio"/>	
Heating and ventilation system	<input type="radio"/>	
Comfortable driver's seat with hydraulic suspension with two-point safety belt	<input type="radio"/>	
Air-suspended driver's seat with two-point safety belt		<input type="radio"/>
Passenger seat with two-point safety belt	<input type="radio"/>	
Passenger seat with suspension and two-point safety belt		<input type="radio"/>
Document console instead of passenger seat		<input type="radio"/>
Adjustable steering column	<input type="radio"/>	
Parking heater		<input type="radio"/>
Rotating amber beacon		<input type="radio"/>
Windscreen wiper with interval switch		<input type="radio"/>
Screen wiper for rear screen		<input type="radio"/>
Air flap or air ventilator		<input type="radio"/>
Heated front screen and / or rear screen		<input type="radio"/>
Comfort package (sun blend, footrest, coat hook)		<input type="radio"/>
Interior mirror, interior light		<input type="radio"/>
Two external mirrors	<input type="radio"/>	
Hour meter	<input type="radio"/>	
Warning lamps for engine cooling temperature, hydraulic oil temperature and fuel level	<input type="radio"/>	
Gauges for engine cooling temperature, hydraulic oil temperature and fuel level		<input type="radio"/>
Complete lighting system (without long-distance light)	<input type="radio"/>	
Working light front and / or rear		<input type="radio"/>
Inching control (automatic reversing system) with buzzer		<input type="radio"/>
Radio		<input type="radio"/>
Air conditioning system		<input type="radio"/>
Preparation for customer radio system		<input type="radio"/>
<b>Chassis frame</b>		
Tires, pneumatic type	<input type="radio"/>	
Super elastic solid tires		<input type="radio"/>
Automatic coupler Rockinger 244 D rear	<input type="radio"/>	
Multi-position coupler in front or rear		<input type="radio"/>
Shunting coupler front		<input type="radio"/>
Remote control for automatic coupler		<input type="radio"/>
Auxiliary load platform		<input type="radio"/>
Protection grids for front and rear lights		<input type="radio"/>
Polyurethane bumpers front and rear or heavy-duty rubber bumpers		<input type="radio"/>
3-coat painting white RAL 9010	<input type="radio"/>	
3-coat painting on customer's demand		<input type="radio"/>
Safety labels		<input type="radio"/>
Centralized chassis lubrication system		<input type="radio"/>
Diesel exhaust particulate filter		<input type="radio"/>
<b>Other technical equipment on request</b>		

Subject to change without notice. September 2005

# Rofan

**Rofan GmbH**  
 Ringstraße 140  
 D - 70839 Gerlingen  
 Telefon + 49 (0) 71 56. 43 16 0  
 Fax + 49 (0) 71 56. 43 16 40  
 info@rofan.de  
 www.rofan.de

